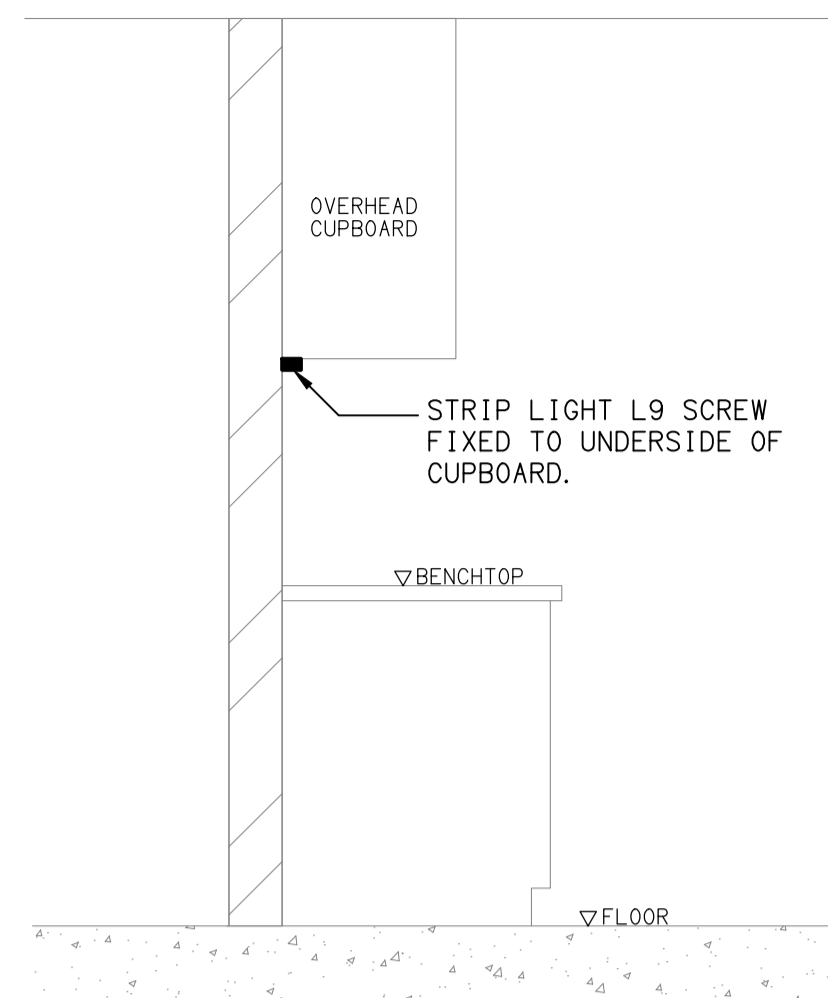
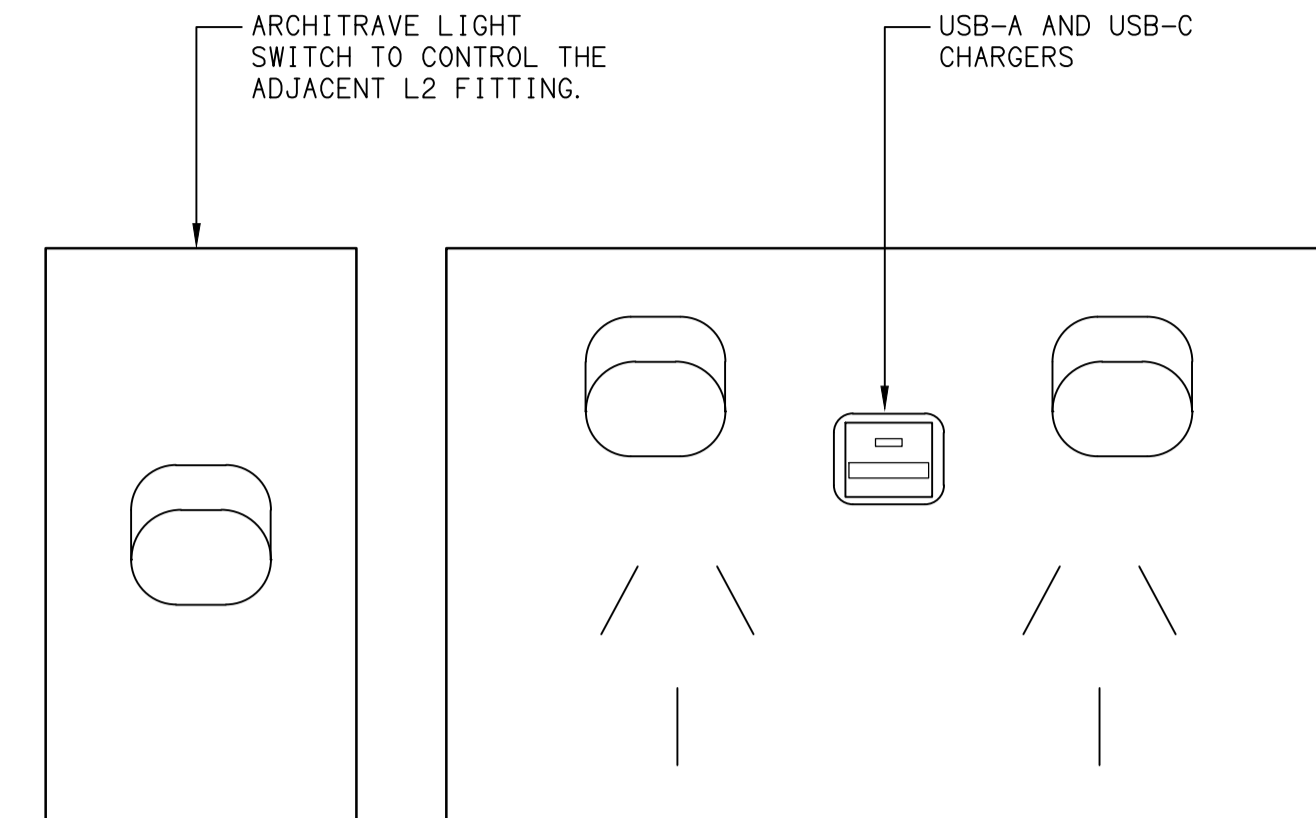


DETAIL
TYPICAL OUTLET MOUNTINGS
NOT TO SCALE

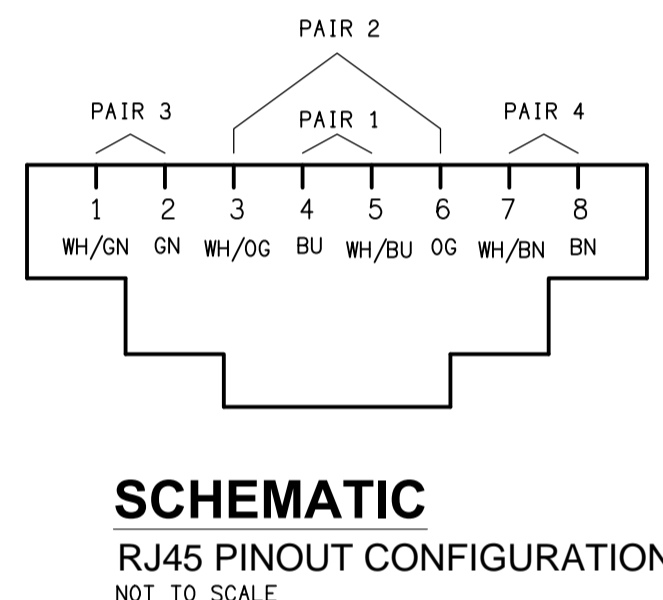


DETAIL
'L9' STRIP LIGHT MOUNTING
NOT TO SCALE

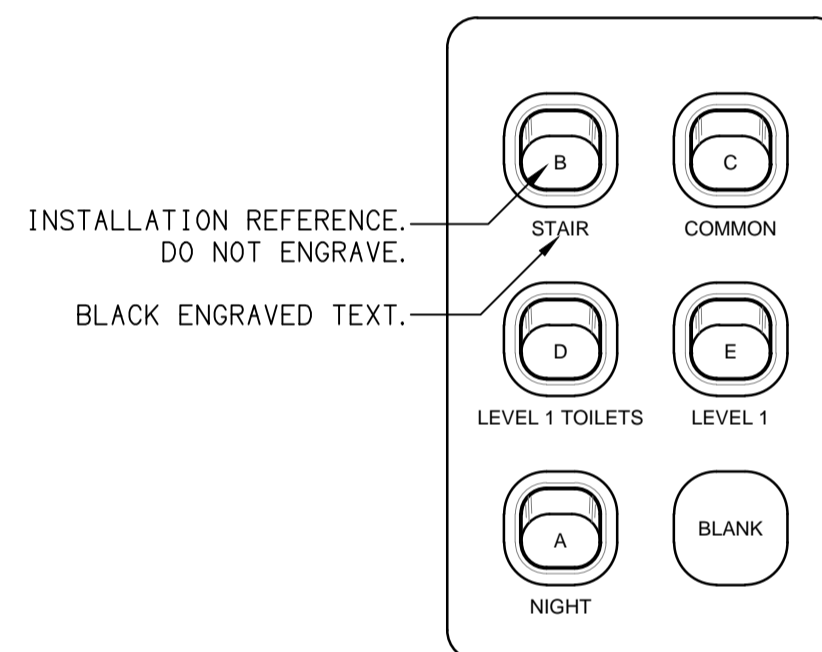


DETAIL A
OUTLET TYPE A CONFIGURATION
NOT TO SCALE

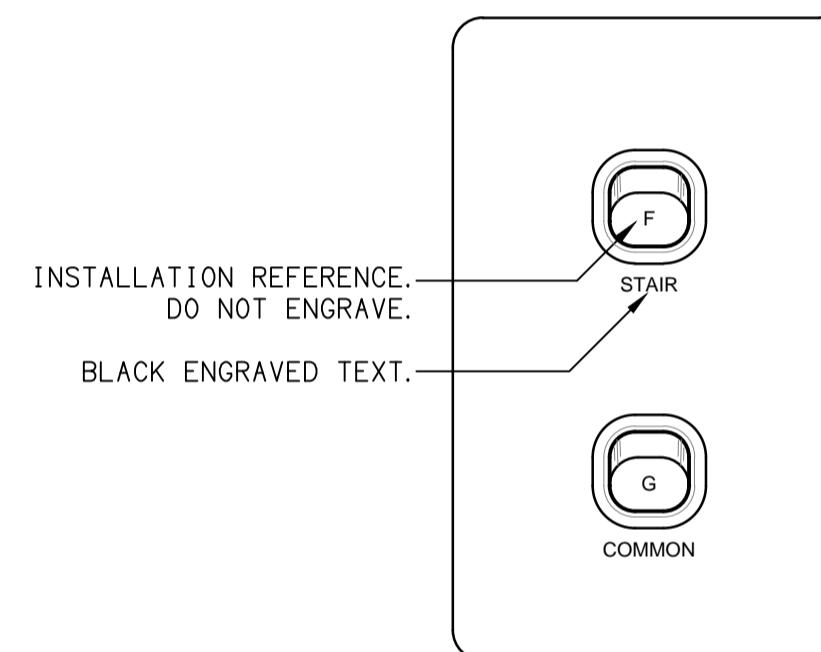
- EQUIPMENT:**
- TEST - TEST PUSH BUTTON MOUNTED ON THE DISTRIBUTION BOARD ESCUTCHEON.
 - RESET - RESET PUSH BUTTON MOUNTED ON THE DISTRIBUTION BOARD ESCUTCHEON.
 - LAMP - AMBER TEST INDICATING LAMP MOUNTED ON THE DISTRIBUTION BOARD ESCUTCHEON.
 - Ta - ADJUSTABLE 0-3 HOUR TIMED RELAY.
 - Tb - 15 MINUTE RUN-ON TIMER TO OPERATE UPON THE RETURN OF MAINS POWER.
 - Cx - CONTACTOR x.
 - CRx - CONTROL RELAY x.
 - Rx - RELAY x.



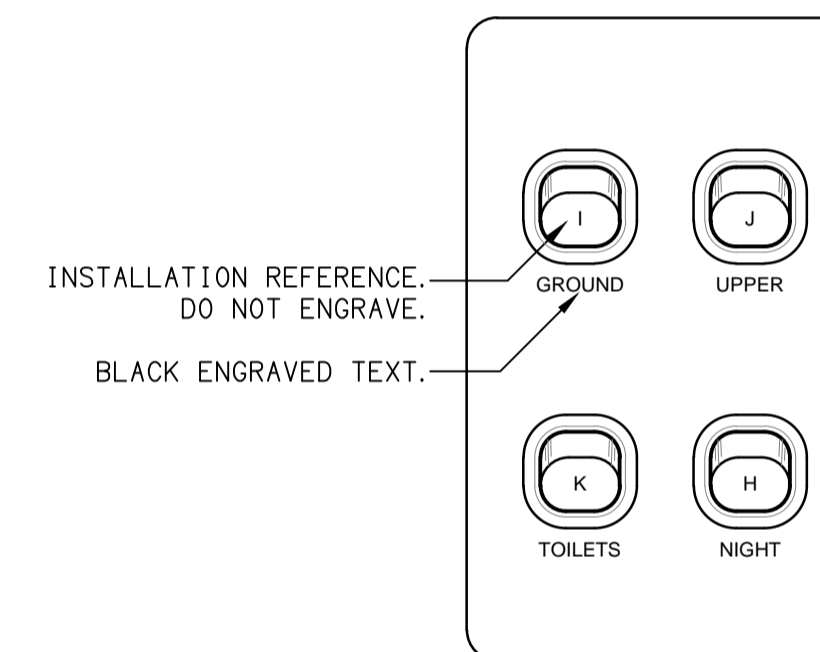
SCHEMATIC
RJ45 PINOUT CONFIGURATION
NOT TO SCALE



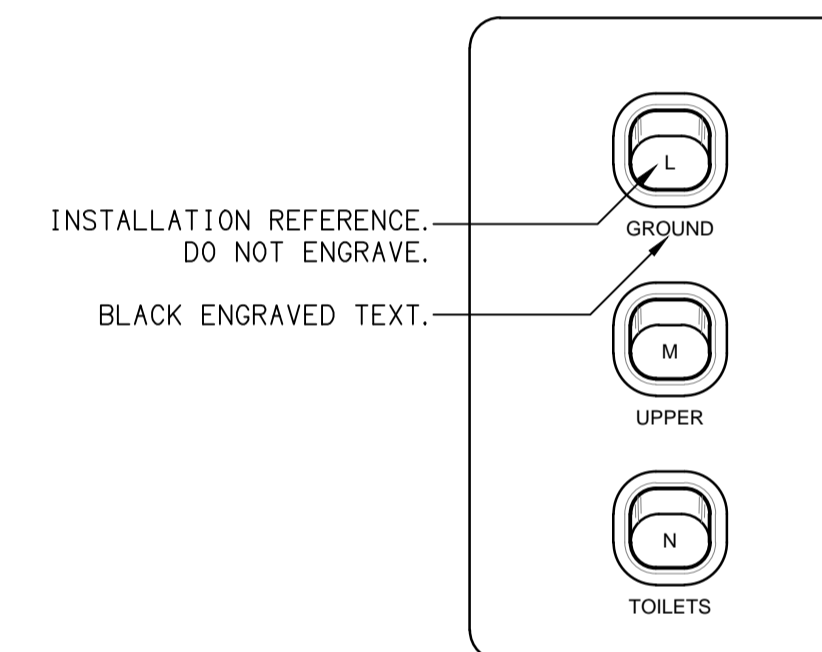
DETAIL
SP1 LIGHTING CONTROL ELEVATION
NOT TO SCALE



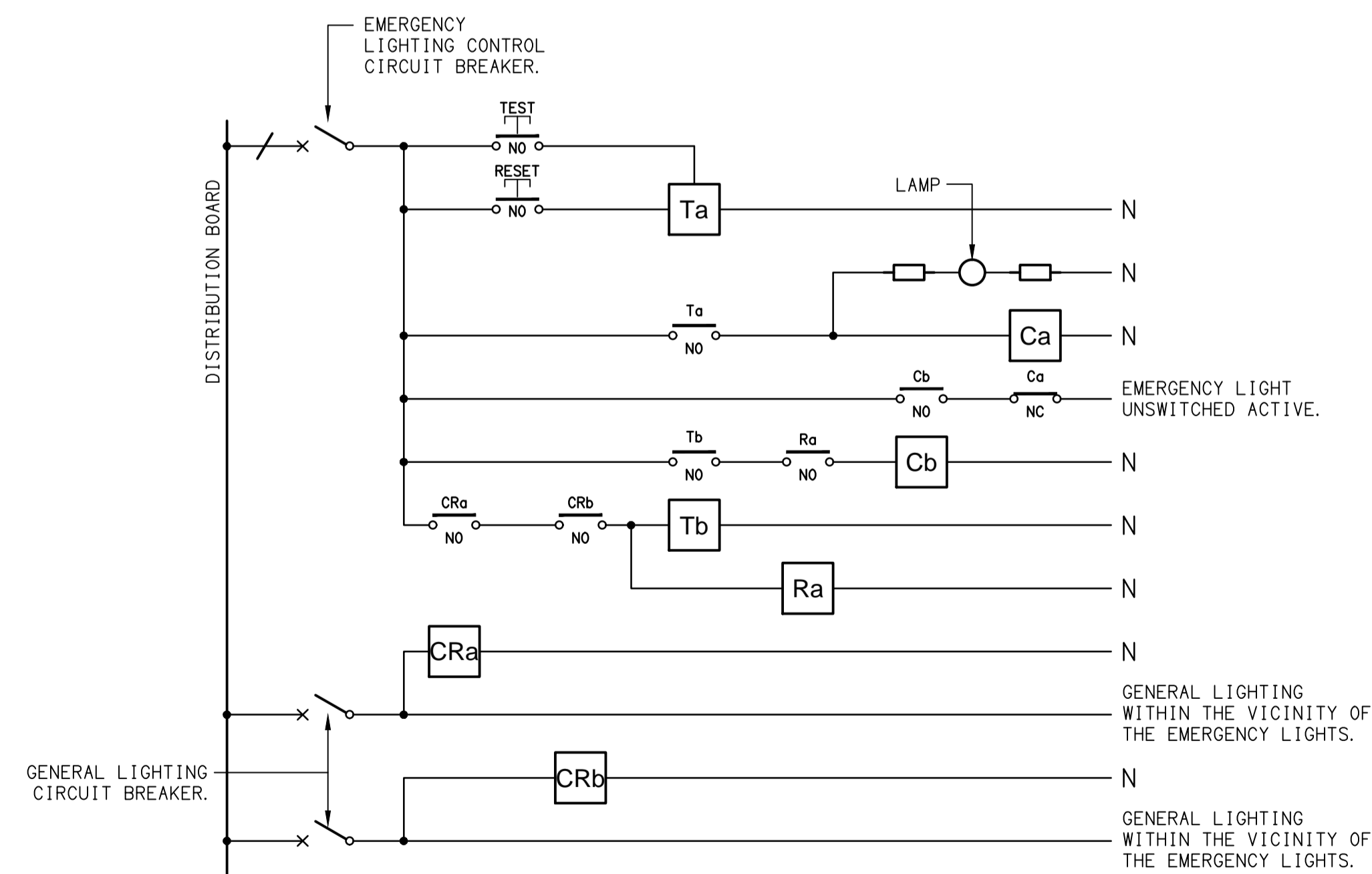
DETAIL
SP2 LIGHTING CONTROL ELEVATION
NOT TO SCALE



DETAIL
SP4 LIGHTING CONTROL ELEVATION
NOT TO SCALE

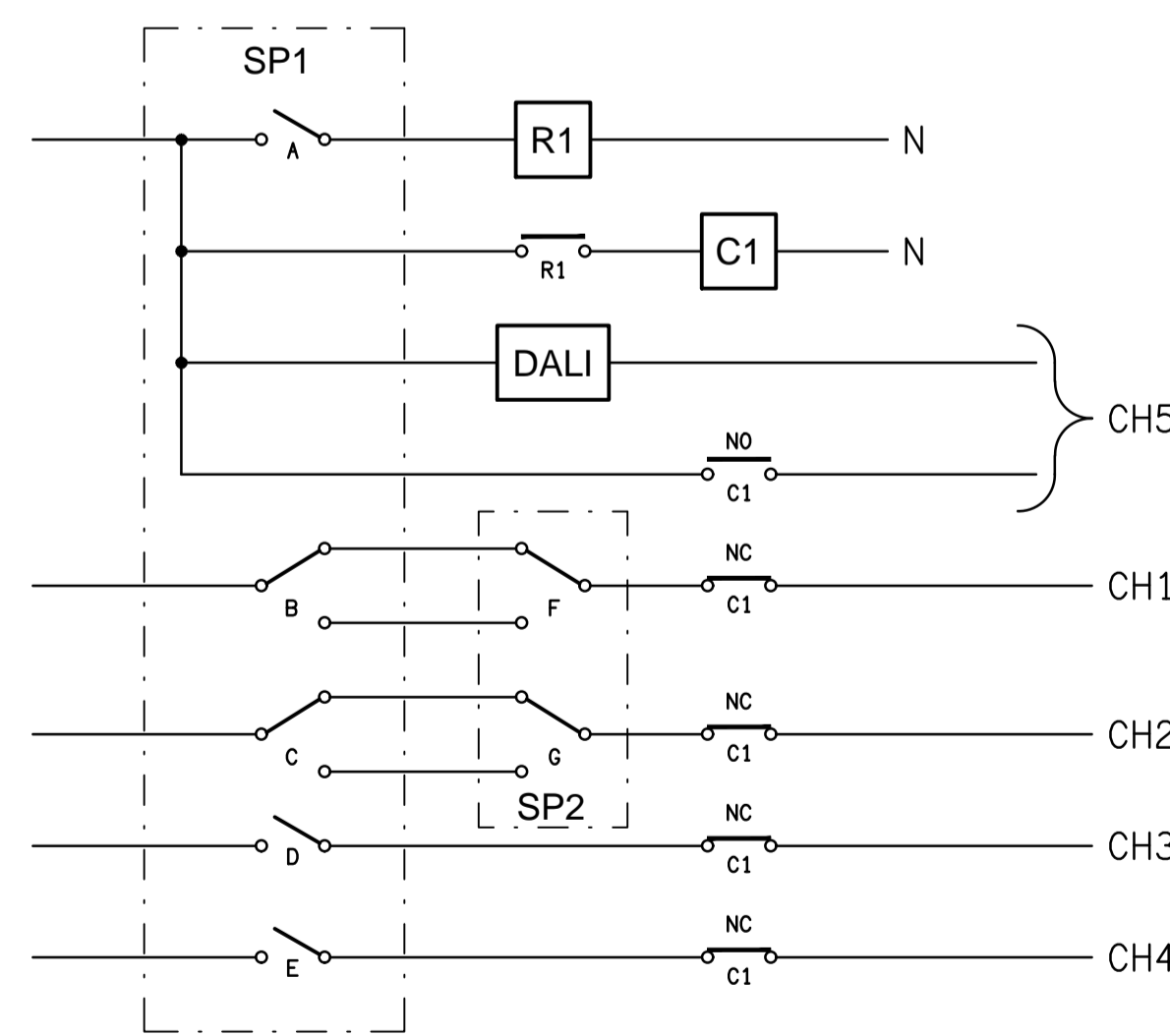


DETAIL
SP3 LIGHTING CONTROL ELEVATION
NOT TO SCALE

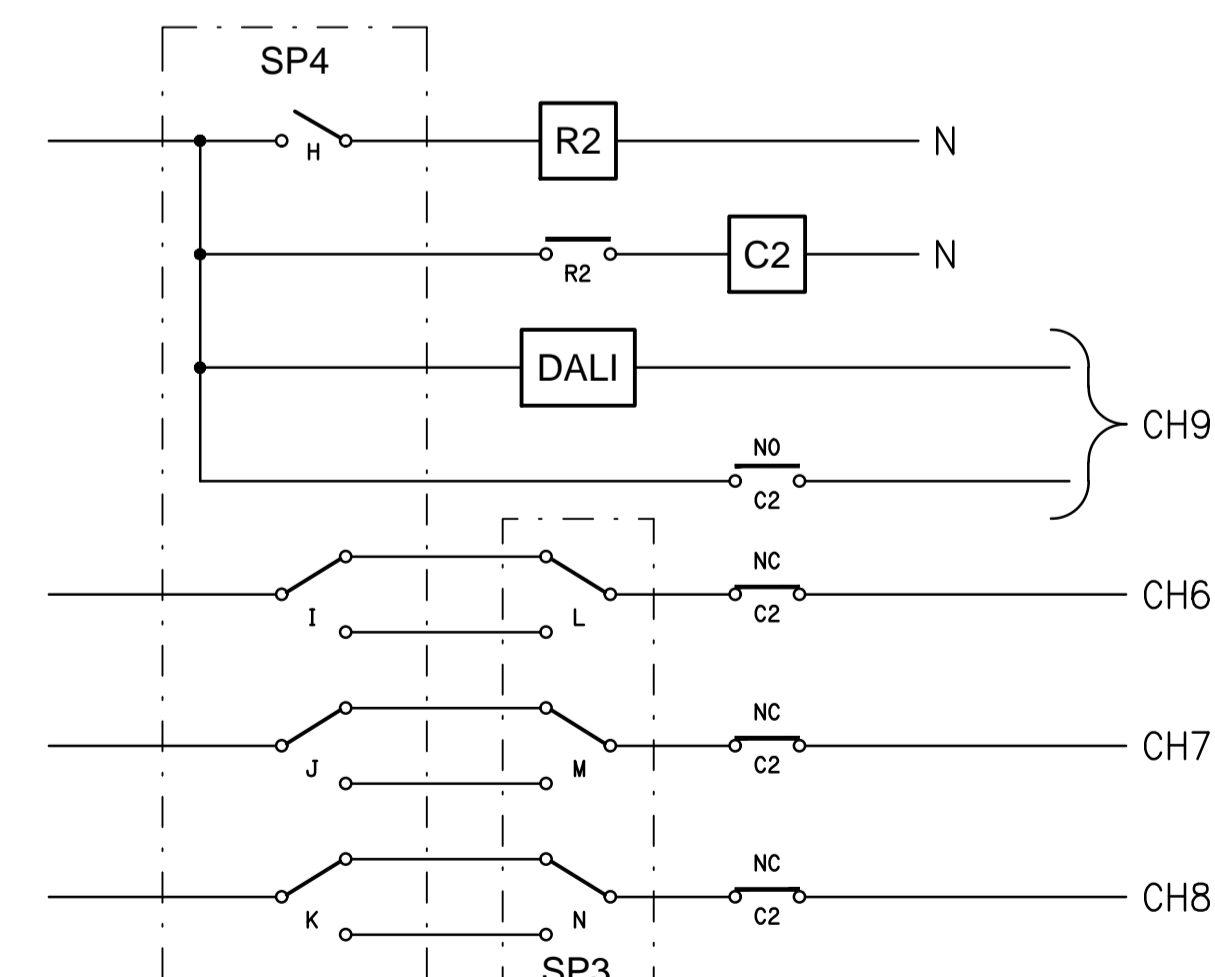


SCHEMATIC
EMERGENCY LIGHTING
NOT TO SCALE

- NOTES**
- THE EMERGENCY LIGHT UNSWITCHED ACTIVE / GENERAL LIGHTING SWITCHED ACTIVE CIRCUIT ARRANGEMENT AND CONTROL IS TYPICAL FOR ALL CIRCUITS SUPPLYING EMERGENCY LIGHTS.
 - PROVIDE ADDITIONAL CONTROL RELAYS (CRx) CONFIGURED AS PER CRa AND CRb FOR ALL ADDITIONAL LIGHTING CIRCUITS THAT SUPPLY LIGHTS IN THE VICINITY OF THE EMERGENCY LIGHTS.



SCHEMATIC
SP1 & SP2 LIGHTING CONTROL CONFIGURATION
NOT TO SCALE



SCHEMATIC
SP3 & SP4 LIGHTING CONTROL CONFIGURATION
NOT TO SCALE

ELECTRICAL DESIGN GROUP BRISBANE
PTY LTD
ACN 092 710 793
TRADING AS:
ELECTRICAL DESIGN GROUP

THE COPYRIGHT OF THIS DRAWING
REMAINS THE PROPERTY OF THE
ELECTRICAL DESIGN GROUP.
USE FIGURED DIMENSIONS
IN PREFERENCE TO SCALE.
ALL DIMENSIONS TO BE
VERIFIED ONSITE.

ELECTRICAL DESIGN GROUP
ELECTRICAL BUILDING SERVICES CONSULTANTS
BRISBANE GOLD COAST

P.O. Box 15, Sherwood Q.4075
Phone: (07) 3278 4375
Email: brisbane@edg.net.au
Web: www.edg.net.au

PROJECT:
ANGLICAN CHURCH GRAMMAR SCHOOL
YEAR 7 BOARDING

OAKLANDS PARADE, EAST BRISBANE

B	TENDER	04/06/2024
REV.	DESCRIPTION:	DATE:

DRAWING:
**ELECTRICAL SERVICES
DETAILS & SCHEMATICS**

SCALE:
NOT TO SCALE AT A1

PROJECT NO:
C3247a

DRAWING NO:
E02

REVISION:
B